

VECTOR ROTARY LATCH - INLINE PERPENDICULAR PULL



Vector rotary latches offer concealed latch points with convenient push-to-close action. Vector Rotaries are suitable for a variety of applications that require high strength, robust and secure latching. They are employed either as single latch point or in a multipoint latching system. Available in either single or two stage latching. The two stage rotary offers a safety feature that securely latches a partially latched compartment. Specially engineered to offer minimized trigger release force that ensures smooth and easy opening.

Vector rotaries are combined with Vector actuators that connect to the rotary latch by Vector rods or cables, creating an optimized latching system with components easily and securely fitted together. Please see related products to choose your components for your complete Vector rotary latching system.

材质

Anti Vibration Bushing: TPE

套筒: 尼龙6+30%玻纤

Cam: 不锈钢 316

Clip: 钢, 镀锌

Housing: 钢, 镀锌

Striker: Zinc die cast, zinc plated or black powder coated

Trigger: Hardened steel, zinc plated

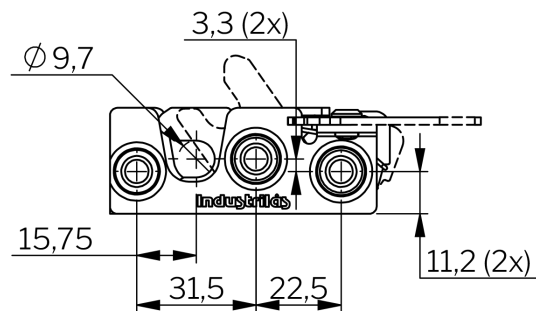
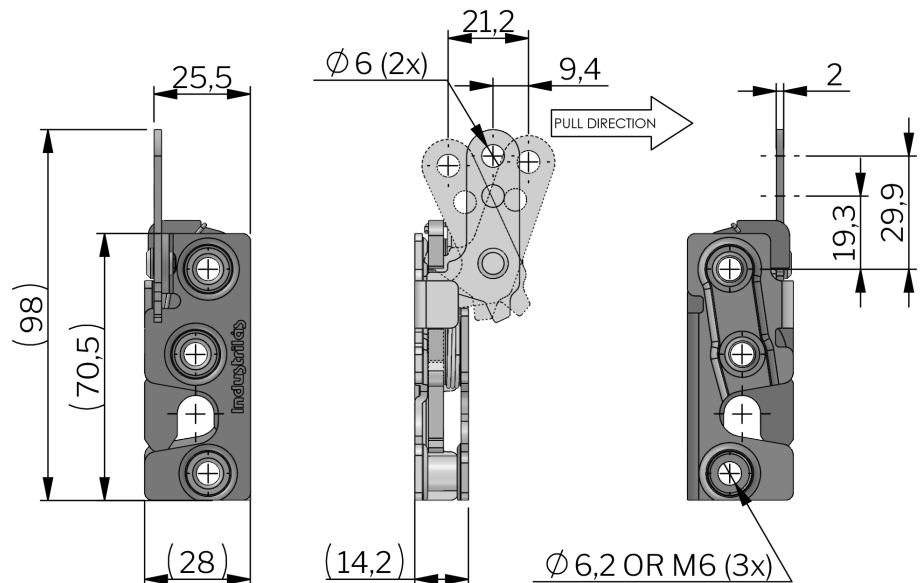
相关产品

Needed components for a complete system:

2-850, 2-745, 2-746, 2-835, 2-860

类似产品: 2-750-01, 2-750-02, 2-750-04, 2-750-07

索引编号见网站 industrilas.com



Industrilas
— When access counts —

每一栏选择对应的数字创建产品编号 (AAAA-BBCDEFFG-HH)

AAAA 款式	BB 材质	C 款式	D Type of jaw	E Mounting hole	FF Trigger	G Left / Right	HH Striker
5223 Standard Rotary "AR1" 8 mm striker	30 不锈钢 304	2 Double stage	2 Double jaw	2 1/4-20 UNC	08 Top RA Pull	2 Left	03 With looped striker
5224 BSR "AR1" 8 mm striker		1 Single stage		1 M6 threaded		1 Right	
				0 Through hole			02 With striker bolt M8
							00 No striker
							01 With striker bolt

* Anti-BSR means no Buzz, Squeak or Rattle due to TPE anti vibration bushing.

